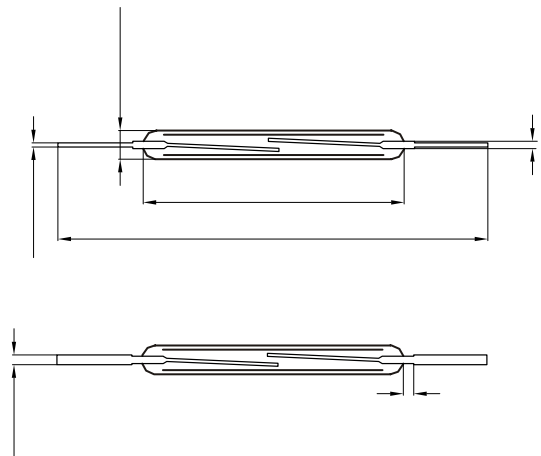


**JIN ZON ENTERPRISE CO., LTD.**

4F-3, No. 171, Sec. 2, Chang An E. Rd.,  
 Taipei, Taiwan, R. O. C.  
 TEL: 886-2-27111093~5  
 FAX: 886-2-27310902  
 E-mail: [jinzon@ms2.hinet.net](mailto:jinzon@ms2.hinet.net)  
 Http:// [www.jinzon.com.tw/](http://www.jinzon.com.tw/)

**Standard reed switch ZW-103R**

This product is in accordance with RoHs



PARAMETERS	Unit	TYPE	
		ZW-103R	
Contact form		normally open	
Switching power	max	W, VA	60
Switching current	max	A	3
Carry current	max	A	5
Switching voltage	max	V <sub>DC</sub>	300
Switching voltage	max	V <sub>AC</sub>	230
Pull-in Ampere turns		AT	40 ÷ 60
Contact resistance	max	mΩ	100
Operate time incl. bounce time	max	ms	2.5
Release time	max	ms	0.2
Breakdown voltage	min	V <sub>DC</sub>	500
Capacitance	max	pF	0.8
Insulation resistance	min	Ω	10 <sup>10</sup>
Environment category acc. to IEC 68-1			55/100/10
Operating life tested with resistive loads Load 60 V <sub>DC</sub> , 1 A			10x10 <sup>6</sup> operations
Test coil - No. of turns - Dimensions - Resistance		mm Ω	CP-11 10000 φ 0.09 φ 7.6x50 850

\* Over 230 V<sub>AC</sub> or 300 V<sub>DC</sub> the arc discharge may deteriorate the contact layer. Therefore the switching current should be reduced for example to 2 mA at the 250 V<sub>AC</sub> or 400 V<sub>DC</sub>.

