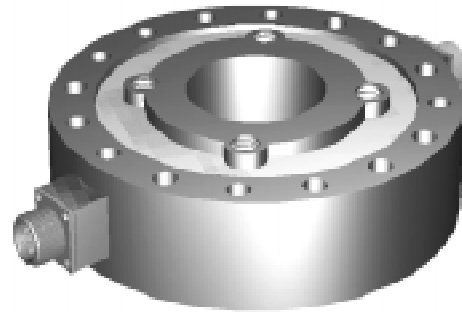


# Multi-Component Sensors

## 11042 Series

### TORQUE/THRUST SENSOR

Torque/Thrust sensors are capable of measuring both torque and thrust forces simultaneously. The Model 11042 has a one piece construction and is designed specifically to provide the strength and rigidity required to withstand extraneous loads and bending moments. The unique design provides both maximum structure life and minimal thrust/torque cross talk.

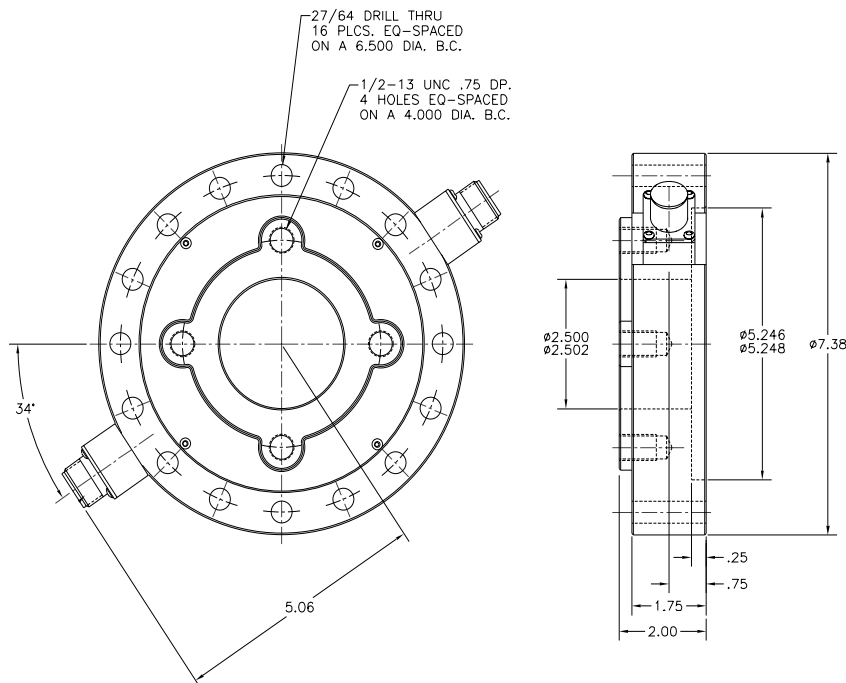


### SPECIFICATIONS

Capacity..... See chart  
 Overload capacity..... 150% of F.S  
 Output at full scale load..... 2.0 mV/V nominal  
 Non-linearity..... 0.15% of F.S.  
 Hysteresis..... 0.15% of F.S.  
 Zero balance..... 1% of F.S.  
 Compensated temperature..... 70 to 170°F  
 Useable temperature..... -65 to +250°F  
 Temperature effect on zero..... 0.002% of F.S./°F  
 Temperature effect on span..... 0.002% of Rdg./°F  
 Bridge resistance..... 700/350 Ohms  
 Excitation voltage, maximum..... 20 Vdc  
 Material..... Alloy steel

### DIMENSIONS

MODEL	FATIGUE RATED	
	CAPACITY (THRUST) LB.	CAPACITY (TORQUE) IN#
11042 - 00C	500	500
11042 - 00B	2500	1000
11042 - 00A	10000	5000



DWG



ORDER TOLL FREE 1-888-SENSOR-1