

Rotating Torque Sensors

01324 Series

ROTARY SHAFT TORQUE SENSOR

These sensors are designed to measure rotating drive torque using a conventional shaft-to-shaft configuration for in-line placement. The design incorporates a coin silver slip ring assembly that transmits excitation voltage to, and output signals from, the rotating sensor. These sensors can be supplied with Auto-ID, which eliminates scaling when used with the PTI or PMAC 2000 instruments. An optical encoder to measure angle or speed is also available with this model.

SPECIFICATIONS

Capacity 50 in. oz. to 20,000 in.lb. (See chart)
 Overload capacity 150% of F.S.
 Output at F.S. 2.0 mV/V nominal
 Non-linearity 0.10% of F.S.
 Hysteresis 0.10% of F.S.
 Zero balance 1.00% of F.S.
 Compensated temperature 70 to 170°F
 Useable temperature -65 to +250°F
 Temperature effect on zero 0.002% of F.S./°F
 Temperature effect on span 0.002% of Rdg./°F
 Bridge resistance 1000 Ohms
 Excitation voltage, maximum 20 Vdc
 Maximum shaft speed 5000 RPM*

*For faster shaft speeds and different end configurations, please contact the factory.

Mating connector supplied.

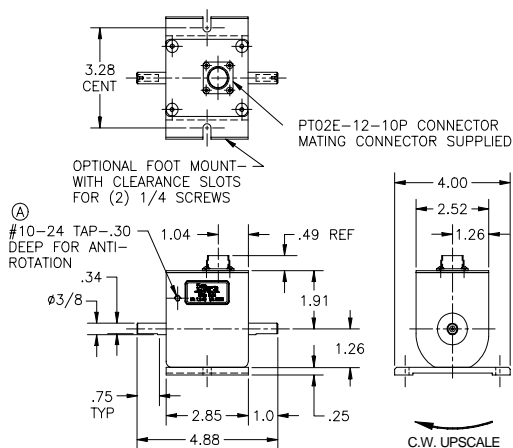


OPTIONS

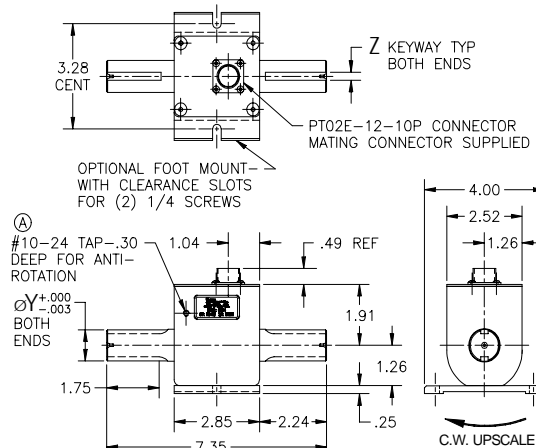
- 4 pin Bendix connector (non Auto-ID)
- 10 pin Bendix connector (Auto-ID)
- Integrated signal amplifier (+/-5V or +/-10V)
- Integral optical encoder - 1024 ppr and 1500 ppr (requires 10 pin connector)
- Footmount

DIMENSIONS

MODEL	CAPACITY			SHAFT	KEY	MATERIAL
	IN-OZ.	IN-LBS	N-M			
01324-030	50	3	0.35	3/8"	1/32" flat	Stainless steel shafts/ Aluminum sensors
01324-060	100	6	0.71			
01324-120	200	12	1.41			
01324-310	500	30	3.53			
01324-620	1000	62	7.06			
01324-012	100	12		0.749	3/16"	Steel
01324-022	200	23		0.999	1/4"	
01324-052	500	56				
01324-013	1000	113				
01324-023	2000	226		1.499	3/8"	
01324-053	5000	565				
01324-014	10000	1130		1.749	3/8"	
01324-153	15000	1700				
01324-024	20000	2260				



DWG



DWG



ORDER TOLL FREE 1-888-SENSOR-1